

**NEW**

**PEDROLLO**<sup>®</sup>  
... the spring of life



# **EASY PRESS**<sup>®</sup>

Electronic pressure and flow meter/switch  
to **control and protect** electrical pumps

**Electronic equipment to control and protect electrical pumps in the following sectors:**  
**• Home pressurisation systems • Residential water systems • Gardening**



"EASY PRESS®" starts and stops the electrical pump on which it is installed according to the user's needs.  
 Replaces the traditional pressure switch/pressure tank system with major advantages:  
 • small sizes • no maintenance required • constant flow • protects the electrical pump.



This device monitors pressure and flow of the water running through it, protecting the pump from dangerous working conditions like dry running.  
 When a tap is opened the device starts the pump and keeps it running with a constant flow, even with low flow rates.  
 When the required flow rate falls to almost zero, the pump is stopped.



Spring/membrane water accumulator  
 The special membrane (registered patent) guarantees high protection from overpressure and requires no maintenance.  
 Its high capacity is essential to avoid frequent starts/stops in case of small leaks from the system.  
 This avoids the need to install air expansion containers, which instead is necessary when using flow and pressure switches without accumulator, which are only apparently cheaper.



In order to make installation easier, EASY PRESS® can also be supply with a special, built-in 3 piece joint.



1" male threaded connectors are available for the BSP and NPT versions.



Solid thermoplastic body for use with drinking water:  
 Working pressure: 10 bar  
 Burst pressure: > 40 bar  
 Pressure drops are quite low, thus allowing use also with pumps with flow rate up to 200 litres/min.



The special valve (registered patent) guarantees the continual operation of the pump even at low stopping flows (from 1 to 2 litres/min), and makes it possible to stop installation of EASY PRESS® in any position.

# EASY PRESS®

## Electronic

EASY PRESS® flow/pressure meters are not all the same. Each model differs for:

- working and burst pressure
- working flow rate depends on the pressure drops
- power of the electrical pump controlled
- pump starting pressure
- flow rate below which the pump will stop
- type of water accumulator
- presence of dry running or frequent start/stop guards.

The "EASY PRESS®", series features a wide and complete range of models, capable of fulfilling all the most diversified needs and guaranteeing a reliable and safe pump operation over time.



Optional manometer, built in the front panel, but located outside the IP65 electronic parts housing to guarantee electrical safety.

The available models feature different running pressures (identified by the colour code) for optimal EASY PRESS® use in installations using different utilities and different heights.

The microprocessor-operated logics protects the pump from:

- dry running (automatically restarts the pump when water supply is resumed).
- frequent starts.

The card has passed the strictest EMC electromagnetic compatibility tests (low emissions of interferences and high immunity to electric and magnetic phenomena) to guarantee a reliable use in each environment.

Just one key and 2 LEDs that use different colours and types of flashes to indicate the pump state (power/ pump running/ alert state).



EASY PRESS® can be supplied pre-assembled on a series of pumps of the EASYPUMP areas.

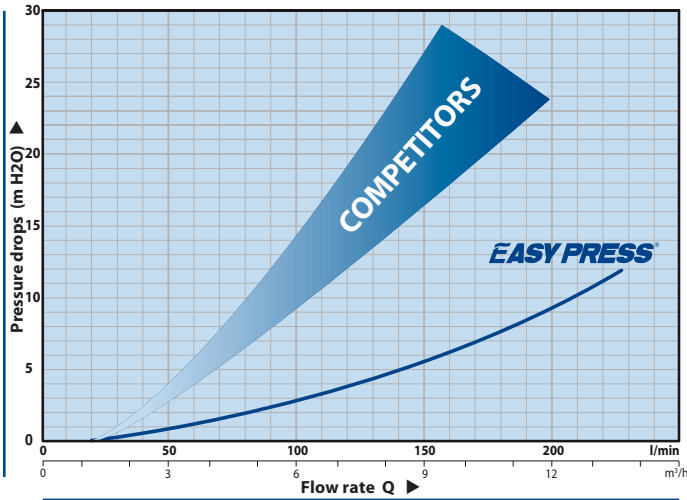
The unit is supplied installed on the EASY PRESS® model more suitable for the pump performances, already wired and factory tested for a simple and quick installation.



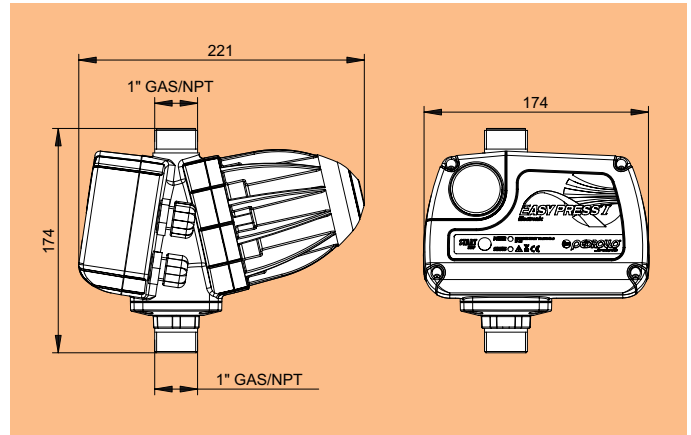
## TECHNICAL DATA

- **VOLTAGE:** 230 V/110 V.
- **FREQUENCY:** 50÷60 Hz.
- **MAXIMUM CURRENT:** 10/16 Amp.
- **PROTECTION:** IP 65.
- **WORKING TEMPERATURE:** 0÷65 °C.
- **MAXIMUM FLOW RATE:** 200 l/min.
- **CONNECTIONS:** 1" BSP/ 1" NPT.
- **WORKING PRESSURE:** 10 Bar.
- **BURST PRESSURE:** >40 Bar.
- **WEIGHT:** 1450 g.
- **PROTECTED FROM:**
  - Dry running (automatic pump reload)
  - Frequent starts.

## PRESSURE DROPS



## DIMENSIONS



MODEL	POWER		VOLTAGE/ FREQUENCY Volt/Hertz 230/50-60	RUNNING PRESSURE		
	0,75 kW 1 HP	1,5 kW 2 HP		0,8	1,5	2,2
EASY PRESS® I - 0,8	●		●	●		
EASY PRESS® I - 1,5	●		●		●	
EASY PRESS® II - 1,5		●	●		●	
EASY PRESS® II - 2,2		●	●			●



Pedrollo S.p.A. – Via Enrico Fermi, 7 – 37047 – San Bonifacio (Verona) ITALY  
tel. +39 045 6136311 – fax +39 045 7614663 – sales@pedrollo.com – www.pedrollo.com