

CKR self-priming liquid ring pumps with double anti-seize inserts

Dependable priming and starting, even after long periods without use, thanks to anti seize inserts which prevent rusting around the impeller.



RANGE OF PERFORMANCE

Flow rate up to 50 l/min (3 m³/h)
Head up to 54 m

LIMITS OF USE

Manometric suction lift up to 9 m
Liquid temperature up to + 90°C (+55°C for diesel fuel)
Environment temperature up to + 40°C

CONSTRUCTION AND SAFETY STANDARDS

EN 60 335-1	EN 60034-1
IEC 335-1	IEC 34-1
CEI 61-150	CEI 2-3



INSTALLATION AND USE

THEY ARE RECOMMENDED FOR PUMPING CLEAN WATER OR LIQUIDS WITHOUT ABRASIVE PARTICLES AND LIQUIDS THAT ARE CHEMICALLY NON AGGRESSIVE TO THE MATERIALS FROM WHICH THE PUMP IS MADE.

DUE TO THEIR OPERATING PRINCIPLE, THEY ARE IDEAL WHERE A COMPACT SELF-PRIMING PUMP IS NEEDED OR WHERE LIQUID SUPPLY IS IRREGULAR OR CONTAINS AIR.

The pumps must be installed in enclosed places, or at least protected against inclement weather.

GUARANTEE 2 YEARS subject to our general terms of sale.

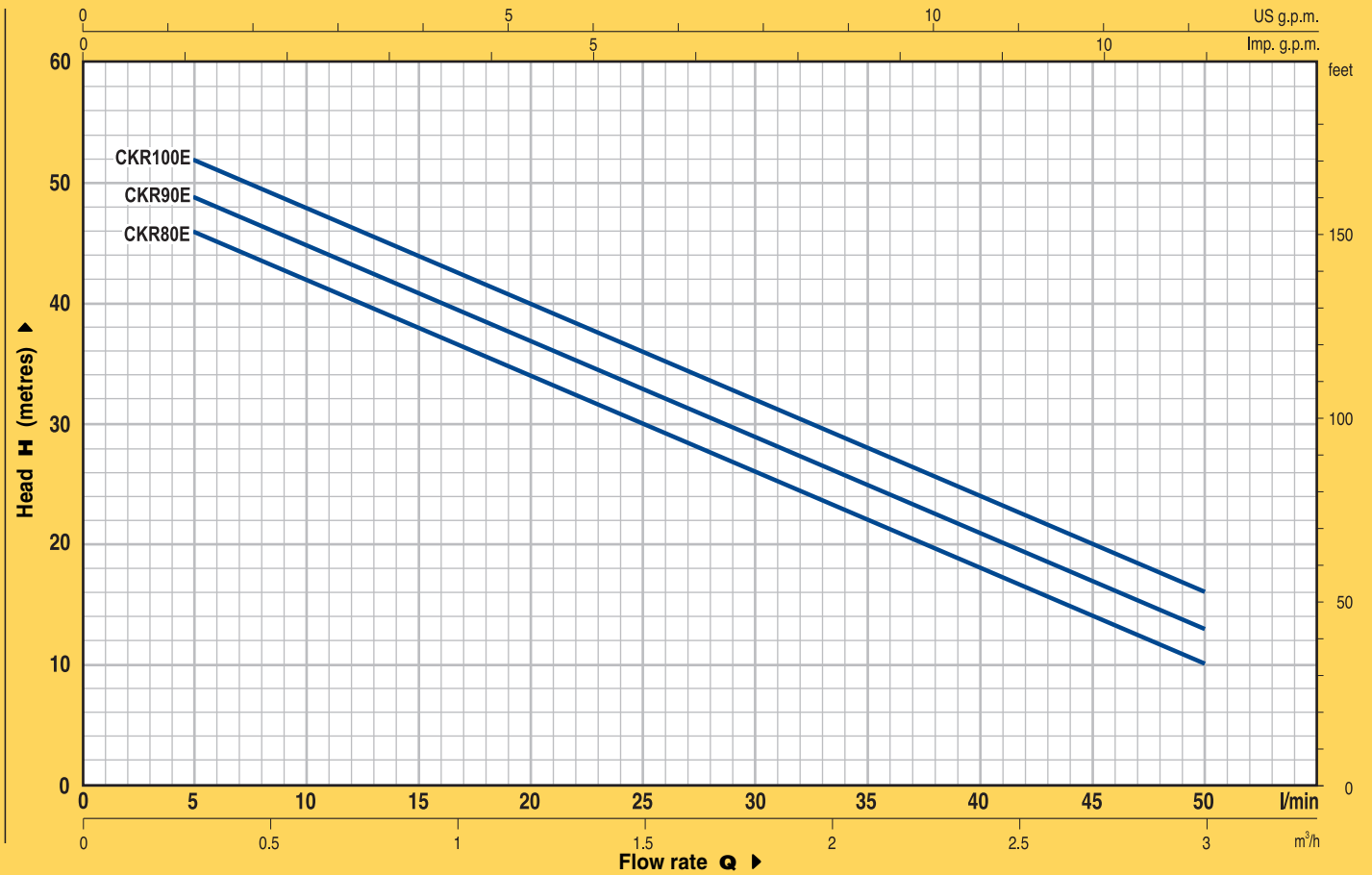
CONSTRUCTION CHARACTERISTICS

- **PUMP BODY:** cast iron with stainless steel insert to prevent the impeller seizing due to rust. Inlet ports threaded to ISO 228/1.
- **MOTOR BRACKET (patent n° 1289150):** aluminium with brass insert; eliminates starting difficulties due to seizure of the impeller after long periods of inactivity.
- **IMPELLER:** brass of the star type with open radial vanes.
- **MOTOR SHAFT:** stainless steel EN 10088-3 - 1.4104.
- **MECHANICAL SEAL:** ceramic - graphite - VITON.
- **ELECTRIC MOTOR:** the pumps are close-coupled to a carefully matched PEDROLLO electric motor, quiet running, totally enclosed fan cooled (TEFC), suitable for continuous duty..
CKRm: single-phase 230 V - 50 Hz with capacitor and thermal overload protector.
CKR: three-phase 230/400 V - 50 Hz.
- **INSULATION:** class F. ● **PROTECTION:** IP 44.
- **REGISTERED MODEL**

OPTIONS ON REQUEST

- ⇒ CKRm/INT version with switch and power cable with Schuko plug
- ⇒ special mechanical seal
- ⇒ other voltages or frequency 60 Hz
- ⇒ protection IP 55

CURVES AND PERFORMANCE DATA AT n= 2900 1/min

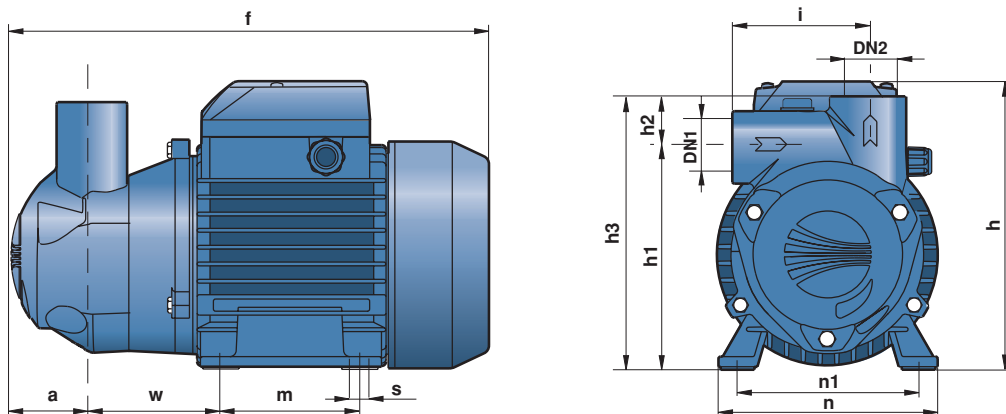


TYPE		POWER		Q	Flow rate										
Single-phase	Three-phase	kW	HP		m³/h	0	0.3	0.6	0.9	1.2	1.5	1.8	2.1	2.4	3.0
CKRm 80-E	CKR 80-E	0.60	0.85	l/min	0	5	10	15	20	25	30	35	40	50	
CKRm 90-E	CKR 90-E	0.75	1	H metres	48	46	42	38	34	30	26	22	18	10	
CKRm 100-E	CKR 100-E	0.90	1.25		51	49	45	41	37	33	29	25	21	13	
					54	52	48	44	40	36	32	28	24	16	

Q = Flow rate H = Total manometric head

Tolerance of the performance curves according to EN ISO 9906 App. A.

DIMENSIONS AND WEIGHTS



TYPE		PORTS		DIMENSIONS mm												kg	
Single-phase	Three-phase	DN1	DN2	a	f	h	h1	h2	h3	i	m	n	n1	w	s	1~	3~
CKRm 80-E	CKR 80-E	1"	1"	50	296	179	136	31	167	81	90	134	112	77	7	11.6	10.8
CKRm 90-E	CKR 90-E															11.8	11.0
CKRm 100-E	CKR 100-E															11.8	12.0